



Beauty & Massage Tables

The incredibly luxurious *Comfort Spa Table* is ideal for waxing, massage, facials and pedicures and the contoured shape gives the practitioner maximum access. With smooth, noiseless height and backrest adjustments (full height in just 20 seconds), this table is a sheer delight to operate. Lockable wheels, adjustable head and arm rests and a triple layered CFC free cushioning will put your clients in comfort heaven.

The *SX Contour Massage Table* allows maximum accessibility to any part of the body and is power operated, reaching full height in just 20 seconds. The adjustable headpiece and luxurious foam offer a level of comfort that your clients will appreciate.

New! *Eco Contour Massage Table* is a combination of the *Contour* massage upholstery configuration and the *New Eco* base make this a very affordable powered massage table.

Lifting Capacity: 145kg (Eco)

Lifting Capacity: 185kg (Comfort & SX)

Key Features:

- ◀ Adjustable feet for uneven floors
- ◀ Lifting Capacity (185kg & 145kg)
- ◀ Motor in compression for safety
- ◀ New! Zero Gap Upholstery System with Heavy Duty Hinges
- ◀ No horizontal movement from High to Low
- ◀ Luxury comfort, Enduro Foam (70mm) triple layer CFC-free foam comes with a 5 year guarantee for durability
- ◀ Self-Cleaning Track
- ◀ Single Foot Switch
- ◀ Our fabrics are water based, that means they are safe for the environment & patient.
- ◀ Our vinyls are resilient against oil and body fluid with added antibacterial treatment for hygiene
- ◀ The quietest motorised tables on the market
- ◀ Three widths to suit your needs at no extra cost - 62cm, 67cm, 72cm
- ◀ Castors are standard on Comfort Spa Tables

Comfort Spa Massage Table



SX Contour Massage Table with mid lift, tail lift and optional wing armrests



Compare the **Quality**, we think you'll be impressed.

100% Australian Made

Wing Armrests



Eco Contour Massage Table



healthtec™
pacific healthtec pty ltd

132 Tennyson Memorial Avenue
Tennyson Qld 4105
PO Box 3272
Yeronga Qld 4104

Phone: 07 3255 8600
Fax: 07 3255 8611

Email: info@healthtecdirect.com
Web: www.healthtecdirect.com

5 YEAR WARRANTY

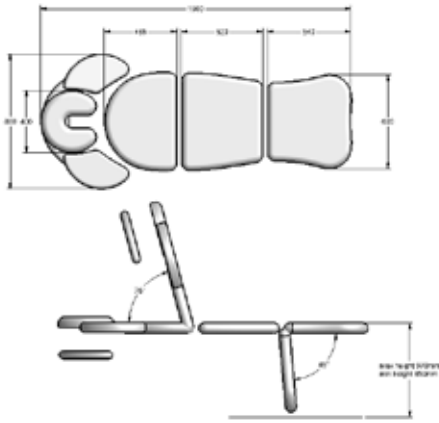
All Healthtec™ manufactured items are covered for defects in material or workmanship for 5 years from date of purchase. Original suppliers warranty applies.

Pacific Healthtec Pty Ltd designs & manufactures all Physioline™ & Healthtec™ Products.

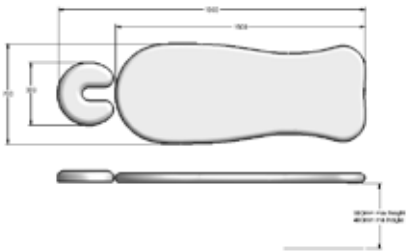
Physioline™ healthtec™
physical medical equipment

Healthtec™ Order Form

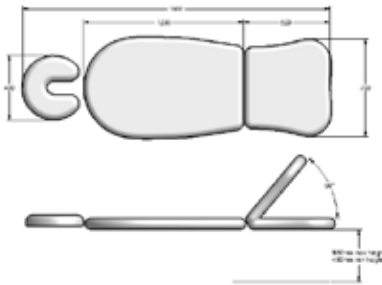
Comfort Spa Table 51401



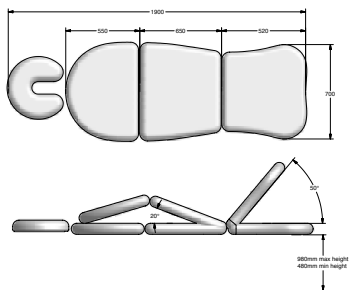
SX Contour Massage Table 51500



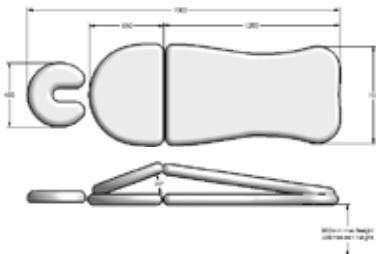
SX Contour Massage Table with Tail Lift 51520



SX Contour Massage Table with Mid Lift & Tail Lift 51530



SX Contour Massage Table with Mid Lift 51540



Your Details
 Please supply us with your details and we'll get back to you to confirm your order and shipping details.

Name _____

Company _____

Phone Number _____

Signature _____

Options & Accessories

| Width & Length Options | Code | Qty |
|------------------------|------|--------------------------|
| 67cm - Width Option | 6001 | <input type="checkbox"/> |
| 72cm - Width Option | 6002 | <input type="checkbox"/> |
| 72cm - Width Option | 6003 | <input type="checkbox"/> |
| Special Length Option | 6009 | <input type="checkbox"/> |

| | | |
|---|------|--------------------------|
| Foam, Vinyl & Frame Options | | |
| Premium Colours Vinyl Upgrade | 6018 | <input type="checkbox"/> |
| Leather Upgrade | 6008 | <input type="checkbox"/> |
| Different Powder Coating Colour Upgrade | 6016 | <input type="checkbox"/> |

- Colours**
- Black
 - Blue Haze
 - Coral Sand
 - Cornflour
 - Galaxy
 - Green Haze
 - Greystone
 - Opal
 - Seaspray
 - Jungle Green
 - Other _____

| | | |
|----------------------------|------|--------------------------|
| Arm Rest Options | | |
| Arm Rest - Removable Style | 5110 | <input type="checkbox"/> |

| | | |
|--|------|--------------------------|
| Head Section Options | | |
| Wing Armrest Extension Cushions (Std on Comfort, not available on Eco) | 5103 | <input type="checkbox"/> |
| Adjustable Face Crest (Foot End) | 5519 | <input type="checkbox"/> |
| Nose Hole - Plug | 6010 | <input type="checkbox"/> |
| Nose Hole - Extra | 6011 | <input type="checkbox"/> |
| Nose Hole - Custom Shape | 6012 | <input type="checkbox"/> |

| | | |
|---|------|--------------------------|
| Castor Options | | |
| Lockable Castor Option (SX & Comfort only) | 6000 | <input type="checkbox"/> |
| Central Locking Castor option (SX & Comfort only) | 6037 | <input type="checkbox"/> |
| Easy-Move retractable wheel system (Eco only) | 6015 | <input type="checkbox"/> |

| | | |
|-------------------------------|------|--------------------------|
| Foot Switch Options | | |
| Additional Foot Switch | 6020 | <input type="checkbox"/> |
| Additional Double Foot Switch | 6024 | <input type="checkbox"/> |

| | | |
|------------------------------|------|--------------------------|
| Accessories | | |
| Paper Towel - Roll Holder | 6017 | <input type="checkbox"/> |
| Paper Towel - Dispenser Pack | 6021 | <input type="checkbox"/> |

Eco Contour Massage Table 54000

