



Examination Tables

The SX Exam Table is the next step up in practitioner comfort. Its SX Action gives you smooth electric height adjustment with no horizontal movement enabling it to fit easily into small cubicles. The low minimum height (45cm) allows for easy patient access and transfer while the maximum height can quickly be set to suit the practitioner's requirements.

The Physioline Exam Table is similar in operation to the SX but has a different base configuration which allows us to pass on some cost savings for the budget conscious practitioner. Minimum Height is 48cm.

The Eco Exam is the entry level option in our examination table range, if the minimum height capability of the SX and Physioline versions are not applicable then this is the Table for you, it has all the standard features of both with a minimum operational height of 50cm.

Lifting Capacity: 160kg (Eco)

Lifting Capacity: 185kg (SX & Physioline)

Key Features:

SX Exam

- ◀ 45cm Minimum Height
- ◀ No horizontal movement from hi-lo
- ◀ Easy to move
- ◀ Fewer moving parts
- ◀ Easy to maintain
- ◀ Extremely Stable
- ◀ Optional independently locking castors for safety
- ◀ Dunlop Enduro Foam as standard (50mm)

Physio Exam

- ◀ (48cm) Minimum Height

Eco Exam

- ◀ Adjustable feet for uneven floors
- ◀ Enduro Foam (40mm) CFC Free
- ◀ Lifting Capacity (160kg)
- ◀ Motor in compression for safety
- ◀ New! Zero Gap Upholstery System with Heavy Duty Hinges
- ◀ No horizontal movement from High (95cm) to Low (50cm)
- ◀ Self-Cleaning Track
- ◀ Single Foot Switch

SX Exam Table with optional independently locking castors



Compare the **Quality**, we think you'll be impressed.



SX Exam Bed shown with drawers and side rails.

healthtec™
pacific healthtec pty ltd

132 Tennyson Memorial Avenue
Tennyson Qld 4105
PO Box 3272
Yeronga Qld 4104

Phone: 07 3255 8600

Fax: 07 3255 8611

Email: info@healthtecdirect.com

Web: www.healthtecdirect.com

5 YEAR WARRANTY

All Healthtec™ manufactured items are covered for defects in material or workmanship for 5 years from date of purchase. Original suppliers warranty applies.

Pacific Healthtec Pty Ltd designs & manufactures all Physioline™ & Healthtec™ Products.

Physioline™ healthtec™
physical medical equipment

Healthtec™ Order Form

Your Details

Please supply us with your details and we'll get back to you to confirm your order and shipping details.

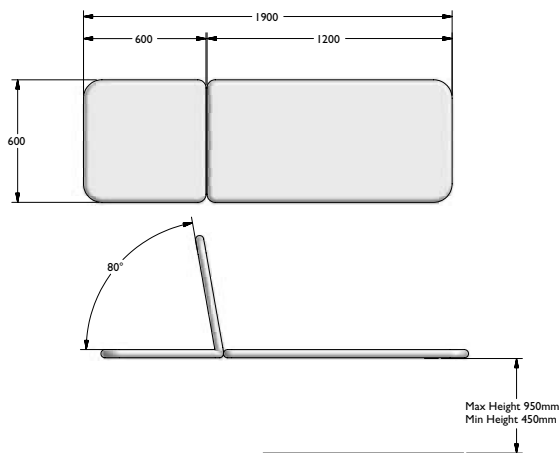
Name _____

Company _____

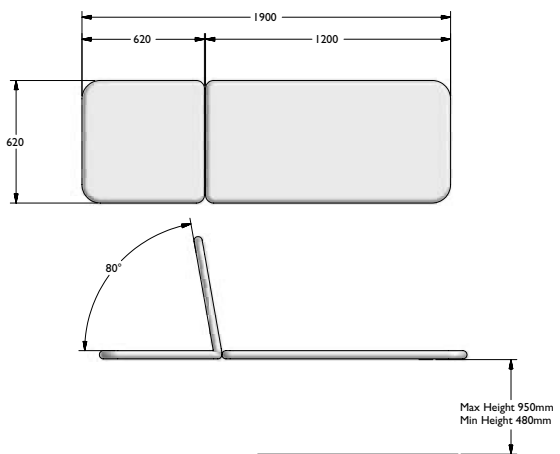
Phone Number _____

Signature _____

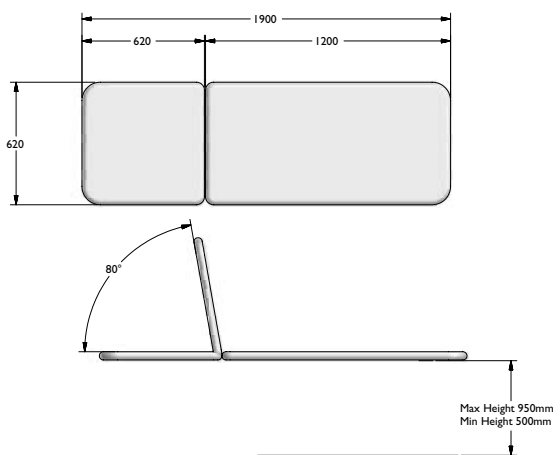
SX Examination Table - (1/3 - 2/3) Two Section 50600



Physioline Examination Table - (1/3-2/3) Two Section 53040



Eco Examination Table - (1/3 - 2/3) Two Section 54040



Options & Accessories

Code

Qty

Width & Length Options

67cm - Width Option	6001	<input type="checkbox"/>
72cm - Width Option	6002	<input type="checkbox"/>
77cm - Width Option (SX only)	6003	<input type="checkbox"/>
82cm - Width Option (SX only)	6004	<input type="checkbox"/>
Special Length Option	6009	<input type="checkbox"/>

Foam, Vinyl & Frame Options

Duo-Foam 60mm Upgrade	6006	<input type="checkbox"/>
Tri-Foam 75mm Upgrade	6005	<input type="checkbox"/>
Premium Colours Vinyl Upgrade	6018	<input type="checkbox"/>
Leather Upgrade	6008	<input type="checkbox"/>
Different Powder Coating Colour Upgrade	6016	<input type="checkbox"/>

Colours

- Black Blue Haze Coral Sand Cornflour
 Galaxy Green Haze Greystone Opal
 Seaspray Jungle Green Other _____

Head Section Options

Nose Hole - Plug	6010	<input type="checkbox"/>
Nose Hole - Extra	6011	<input type="checkbox"/>
Nose Hole - Custom Shape	6012	<input type="checkbox"/>

Miscellaneous Options (SX only)

Electric Operated Back Rest	6031	<input type="checkbox"/>
-----------------------------	------	--------------------------

Side Rail & Procedure Arm Options (SX only)

Side Rail (Left/Right) each	5115	<input type="checkbox"/>
Procedure Arm - Fixed Arm	5102	<input type="checkbox"/>
Procedure Arm - Swing Arm	5106	<input type="checkbox"/>

Castor Options

Easy-Move retractable wheel system (Eco only)	6015	<input type="checkbox"/>
Lockable Castor Option (SX only)	6000	<input type="checkbox"/>
SX Hoist Access (140mm Clearance) (SX only)	6028	<input type="checkbox"/>
Central Locking Castor option (SX only)	6037	<input type="checkbox"/>

Foot Switch Options (SX only)

Additional Foot Switch	6020	<input type="checkbox"/>
Additional Double Foot Switch	6024	<input type="checkbox"/>

Paper Towel Options

Paper Towel - Roll Holder	6017	<input type="checkbox"/>
Paper Towel - Dispenser Pack	6021	<input type="checkbox"/>

Drawer Options (SX only)

Side Drawer		
650(w) x 100(h) x 300(d) mm	5120	<input type="checkbox"/>
End Drawer		
450(w) x 100(h) x 300(d) mm	5121	<input type="checkbox"/>