



# High Capacity Tilt Table

The High Capacity Tilt Table by Pacific Healthtec has been specifically designed for bariatric use.

Unique in its design, it is the only Tilt Table available capable of safely lifting and tilting up to 350kg and allows the patient to walk on and walk off the bed using the electrically operated plantar/dorsiflexion footplate which meets flush with the floor minimising tripping hazard.

The unit is supplied with 3 adjustable patient straps, twin multi-function hand switches and side locking castors. Also available with a digital weighing system accurate to 0.1kg.

**Lifting & Tilt Capacity: 350kg**

## Key Features:

- ◀ Electric Hi to Lo operation 95cm to 65cm
- ◀ Electric Tilt operation from Horizontal to 85
- ◀ Bed dimensions: 195cm Long x 98cm Wide
- ◀ 3 Adjustable Tilt Bed Straps
- ◀ Twin hand switches
- ◀ 20mm Directional castors/ Lever Lock
- ◀ 150mm Clearance under frame to accommodate Patient Lift Device
- ◀ Weighing Device & Display built into frame
- ◀ Electric +/- 10° Plantar/ Dorsiflexion foot plate
- ◀ Footplate goes to ground level for ease of patient access.
- ◀ Footplate length- 300mm
- ◀ Caster legs at Tilt end of Bed to be wide enough to fit walking frame.



**Hi Capacity Tilt Table with weighing system.**

Compare the **Quality**, we think you'll be impressed.



**Our foot plates are at ground level.**

**Footplate folds away for complete access to patient.**



**healthtec™**  
pacific healthtec pty ltd

132 Tennyson Memorial Avenue  
Tennyson Qld 4105  
PO Box 3272  
Yeronga Qld 4104

Phone: 07 3255 8600  
Fax: 07 3255 8611

Email: info@healthtecdirect.com  
Web: www.healthtecdirect.com

**5 YEAR WARRANTY**

All Healthtec™ manufactured items are covered for defects in material or workmanship for 5 years from date of purchase. Original suppliers warranty applies.

Pacific Healthtec Pty Ltd designs & manufactures all Physioline™ & Healthtec™ Products.

Physioline™ healthtec™  
physical medical equipment

# Healthtec™ Order Form

## Your Details

Please supply us with your details and we'll get back to you to confirm your order and shipping details.

Name \_\_\_\_\_

Company \_\_\_\_\_

Phone Number \_\_\_\_\_

Signature \_\_\_\_\_

**Hi-Capacity Tilt Bed without Weighing System** **5045 I**

**Hi-Capacity Tilt Bed with Weighing System** **5046 I**

## Options & Accessories

Code

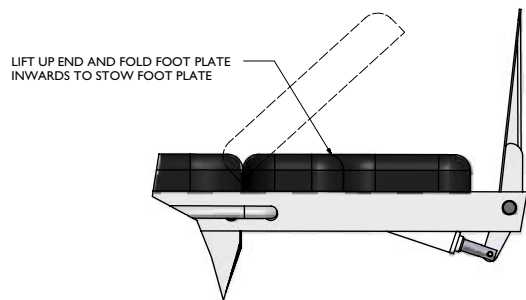
Qty

### Foam, Vinyl & Frame Options

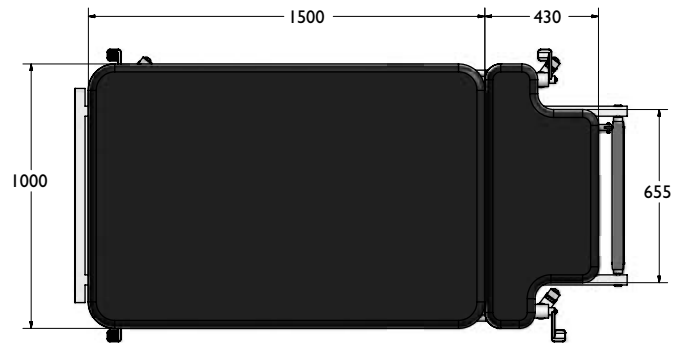
Endura Foam 50mm Upgrade	6007	<input type="checkbox"/>
Duo-Foam 60mm Upgrade	6006	<input type="checkbox"/>
Tri-Foam 75mm Upgrade	6005	<input type="checkbox"/>
Premium Colours Vinyl Upgrade	6018	<input type="checkbox"/>
Leather Upgrade	6008	<input type="checkbox"/>
Different Powder Coating Colour Upgrade	6016	<input type="checkbox"/>

### Colours

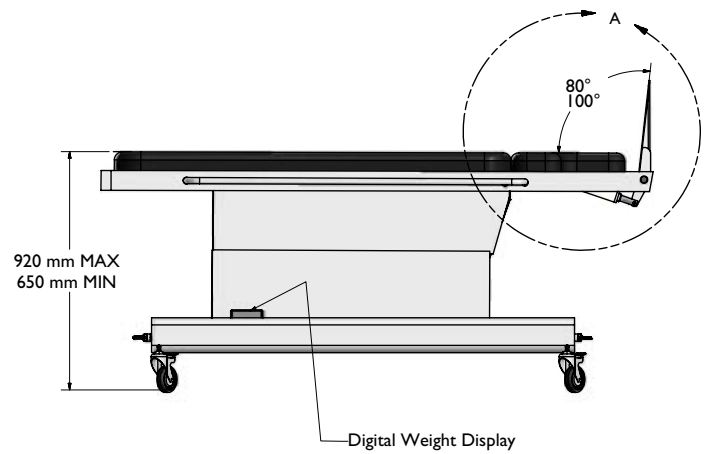
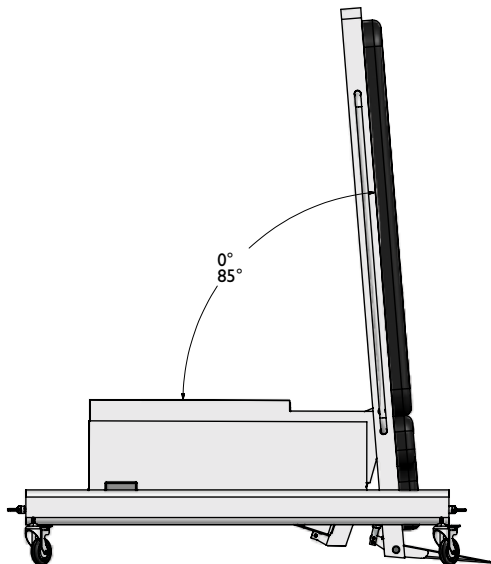
- Black     Blue Haze     Coral Sand     Cornflour  
 Galaxy     Green Haze     Greystone     Opal  
 Seaspray     Jungle Green     Other \_\_\_\_\_



DETAIL A



4



MAXIMUM WEIGHT CAPACITY OF TABLE IS HI - LO & TILT IS 350 KG