



# SX & Eco Podiatry Chairs

The SX Podiatry Chair was designed for the podiatrist who shares their working space with another practitioner. The chair has a reclining backrest, adjustable leg cushion, optional electric seat tilt and independently adjustable and removable arm rests. If the other practitioner needs a treatment or examination bed just remove the armrests and it's ready to go.

The Eco Podiatry Chair was also designed for the podiatrist who shares their working space but doesn't require the electric everything option. The chair has a reclining backrest, adjustable leg cushion and independently adjustable and removable arm rests. The Chair also doubles as a Treatment/ Examination Bed when the armrests are removed.



Eco Podiatry Chair

Lifting Capacity: 160kg (Eco)

Lifting Capacity: 185kg (SX)

## Key Features:

- ◀ 45cm Minimum Height
- ◀ No horizontal movement from hi-lo
- ◀ Easy to move
- ◀ Fewer moving parts
- ◀ Easy to maintain
- ◀ Extremely Stable
- ◀ Optional independently locking castors for safety (SX only)
- ◀ Sturdy Construction
- ◀ Dunlop Enduro Foam as standard (40mm)

Compare the **Quality**, we think you'll be impressed.



SX Podiatry Chair

Both can double as a treatment table

**healthtec™**  
pacific healthtec pty ltd

132 Tennyson Memorial Avenue  
Tennyson Qld 4105  
PO Box 3272  
Yeronga Qld 4104

Phone: 07 3255 8600

Fax: 07 3255 8611

Email: [info@healthtecdirect.com](mailto:info@healthtecdirect.com)

Web: [www.healthtecdirect.com](http://www.healthtecdirect.com)

**5 YEAR  
WARRANTY**

All Healthtec™ manufactured items are covered for defects in material or workmanship for 5 years from date of purchase. Original suppliers warranty applies.

Pacific Healthtec Pty Ltd designs & manufactures all Physioline™ & Healthtec™ Products.

Physioline™ **healthtec™**  
physical medical equipment

# Healthtec™ Order Form

## Your Details

Please supply us with your details and we'll get back to you to confirm your order and shipping details.

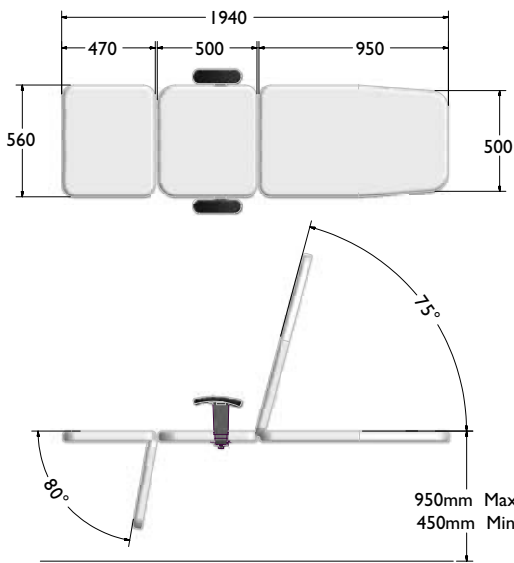
Name \_\_\_\_\_

Company \_\_\_\_\_

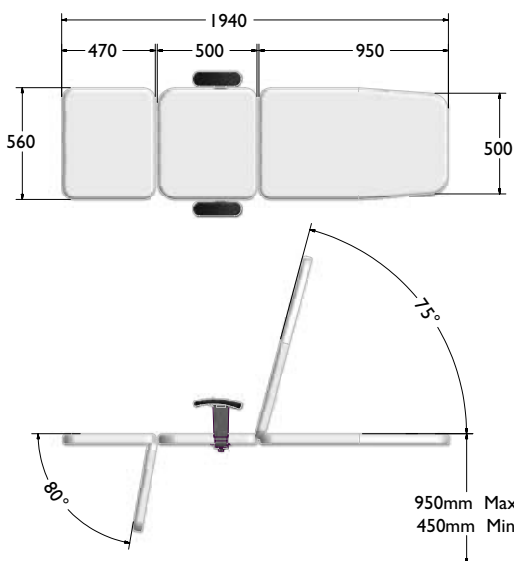
Phone Number \_\_\_\_\_

Signature \_\_\_\_\_

## Eco Podiatry Chair **54100**



## SX Podiatry Chair **50280**



## Options & Accessories

### Width & Length Options

Code	Qty
67cm - Width Option	<input type="checkbox"/>
72cm - Width Option	<input type="checkbox"/>
77cm - Width Option	<input type="checkbox"/>

### Foam, Vinyl & Frame Options

Endura Foam 50mm Upgrade	6007	<input type="checkbox"/>
Duo-Foam 60mm Upgrade	6006	<input type="checkbox"/>
Tri-Foam 75mm Upgrade	6005	<input type="checkbox"/>
Premium Colours Vinyl Upgrade	6018	<input type="checkbox"/>
Leather Upgrade	6008	<input type="checkbox"/>
Different Powder Coating Colour Upgrade	6016	<input type="checkbox"/>

### Colours

- Black     Blue Haze     Coral Sand     Cornflour  
 Galaxy     Green Haze     Greystone     Opal  
 Seaspray     Jungle Green     Other \_\_\_\_\_

### Head Section Options

Adjustable Head Rest (Foot End)	5519	<input type="checkbox"/>
Nose Hole - Plug	6010	<input type="checkbox"/>
Nose Hole - Extra	6011	<input type="checkbox"/>
Nose Hole - Custom Shape	6012	<input type="checkbox"/>

### Castor Options

Lockable Castor Option (SX Bed)	6000	<input type="checkbox"/>
SX Hoist Access (140mm Clearance)	6028	<input type="checkbox"/>
Central Locking Castor option - SX Bed	6037	<input type="checkbox"/>

### Foot Switch Options

Additional Foot Switch	6020	<input type="checkbox"/>
Additional Double Foot Switch	6024	<input type="checkbox"/>

### Accessories

Paper Towel - Roll Holder	6017	<input type="checkbox"/>
Paper Towel - Dispenser Pack	6021	<input type="checkbox"/>

### Podiatry Accessories

SX Podiatry Chair Head Rest	5107	<input type="checkbox"/>
Podiatry Chair Debris Tray	5108	<input type="checkbox"/>

## SX Podiatry Chair with electric seat lift **50330**

