



## SX & Eco Universal Examination Tables

The SX and Eco Universal Examination Tables were designed to help with patient examinations and treatments where cubicle space is an issue. The xframe scissor action on all of the Healthtec tables enable them to operate from Hi to Low without moving forward, thus saving on any further operational space requirements. The differences between the SX and Eco versions are that the Eco has a higher minimum height and a slightly lower lifting capacity. The SX version comes with 50mm Enduro foam as opposed to the Eco with 40mm. On both versions each end section can be raised to provide a backrest for left and right patient examination/procedures.

Lifting Capacity: 185kg (SX)

Lifting Capacity: 160kg (Eco)

### Key Features:

#### SX Universal Exam

- ◀ 45cm Minimum Height
- ◀ No horizontal movement from hi-lo
- ◀ Easy to move
- ◀ Fewer moving parts
- ◀ Easy to maintain
- ◀ Extremely Stable
- ◀ Optional independently locking castors for safety
- ◀ Enduro Foam (50mm) CFC Free

#### Eco Universal Exam

- ◀ Adjustable feet for uneven floors
- ◀ Enduro Foam (40mm) CFC Free
- ◀ Motor in compression for safety
- ◀ New! Zero Gap Upholstery System with Heavy Duty Hinges
- ◀ No horizontal movement from High (95cm) to Low (50cm)
- ◀ Self-Cleaning Track

Eco Universal Examination Table



Compare the **Quality**, we think you'll be impressed.

SX base with optional independent locking castors



**healthtec™**  
pacific healthtec pty ltd

132 Tennyson Memorial Avenue  
Tennyson Qld 4105  
PO Box 3272  
Yeronga Qld 4104

Phone: 07 3255 8600

Fax: 07 3255 8611

Email: [info@healthtecdirect.com](mailto:info@healthtecdirect.com)

Web: [www.healthtecdirect.com](http://www.healthtecdirect.com)

**5 YEAR  
WARRANTY**

All Healthtec™ manufactured items are covered for defects in material or workmanship for 5 years from date of purchase. Original suppliers warranty applies.

Pacific Healthtec Pty Ltd designs & manufactures all Physioline™ & Healthtec™ Products.

Physioline

**healthtec**

physical medical equipment

# Healthtec™ Order Form

## Your Details

Please supply us with your details and we'll get back to you to confirm your order and shipping details.

Name \_\_\_\_\_

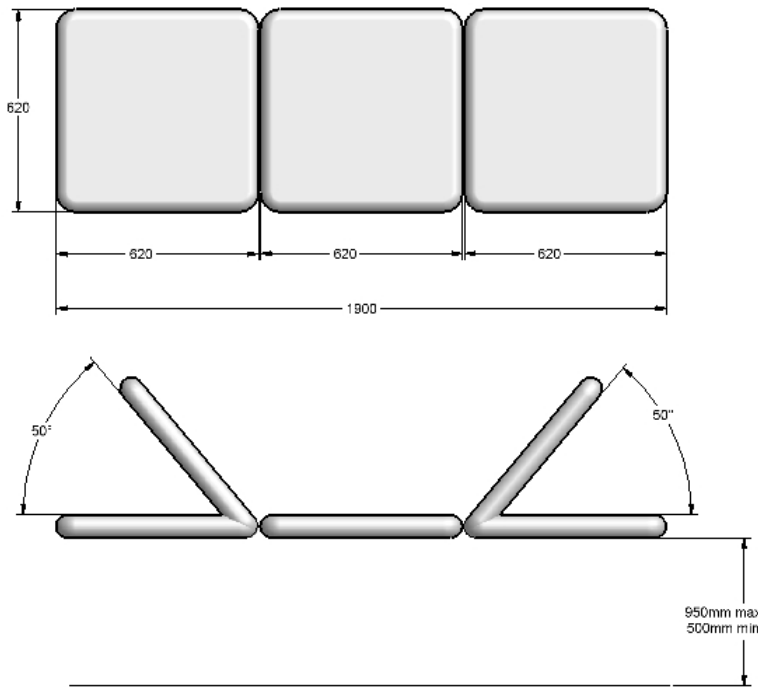
Company \_\_\_\_\_

Phone Number \_\_\_\_\_

Signature \_\_\_\_\_

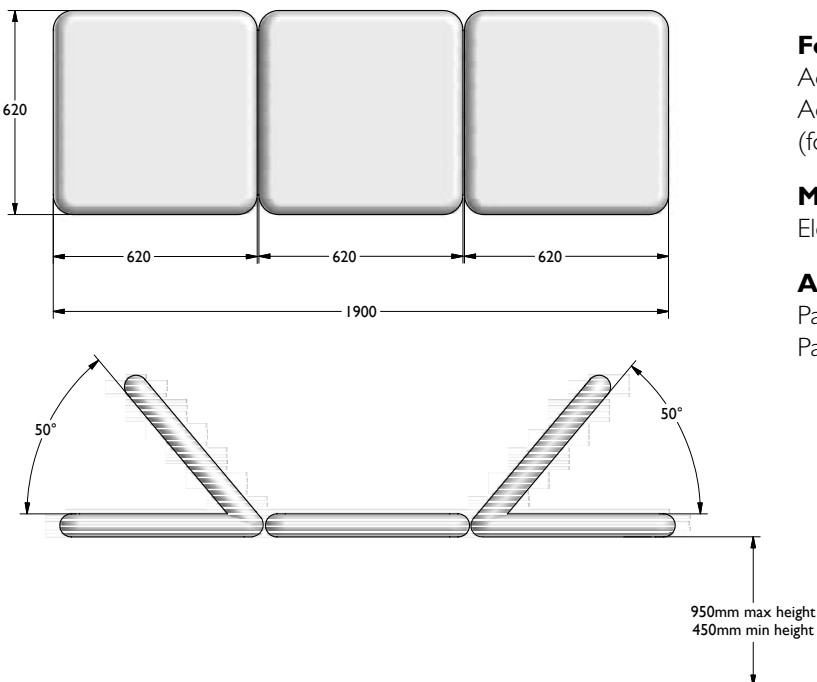
### Eco Universal Examination Table

54060



### SX Universal Examination Table

50220



## Options & Accessories

Code

Qty

### Width & Length Options

67cm - Width Option	6001	<input type="checkbox"/>
72cm - Width Option (SX Only)	6002	<input type="checkbox"/>
77cm - Width Option (SX Only)	6003	<input type="checkbox"/>
82cm - Width Option (SX Only)	6004	<input type="checkbox"/>
Special Length Option (SX Only)	6009	<input type="checkbox"/>

### Foam, Vinyl & Frame Options

Endura Foam 50mm Upgrade	6007	<input type="checkbox"/>
Duo-Foam 60mm Upgrade	6006	<input type="checkbox"/>
Tri-Foam 75mm Upgrade	6005	<input type="checkbox"/>
Premium Colours Vinyl Upgrade	6018	<input type="checkbox"/>
Leather Upgrade	6008	<input type="checkbox"/>
Different Powder Coating Colour Upgrade	6016	<input type="checkbox"/>

### Colours

- Black     Blue Haze     Coral Sand     Cornflour  
 Galaxy     Green Haze     Greystone     Opal  
 Seaspray     Jungle Green     Other \_\_\_\_\_

### Procedure Arm Options

Procedure Arm - Fixed Arm	5102	<input type="checkbox"/>
Procedure Arm - Swing Arm	5106	<input type="checkbox"/>

### Rail Options

Side Rail (Left/Right) (Each)	5115	<input type="checkbox"/>
Push Bar	5116	<input type="checkbox"/>

### Head Section Options

Nose Hole - Plug	6010	<input type="checkbox"/>
Nose Hole - Extra	6011	<input type="checkbox"/>
Nose Hole - Custom Shape	6012	<input type="checkbox"/>

### Castor Options

Easy-Move retractable wheel system (Eco only)	6015	<input type="checkbox"/>
Lockable Castor Option (SX Only)	6000	<input type="checkbox"/>
SX Hoist Access (140mm Clearance) (SX Only)	6028	<input type="checkbox"/>
Central Locking Castor option (SX Only)	6037	<input type="checkbox"/>

### Foot Switch Options

Additional Foot Switch	6020	<input type="checkbox"/>
Additional Double Foot Switch (for Electric Backrest Option) (SX Only)	6024	<input type="checkbox"/>

### Miscellaneous Options

Electric Operated Back Rest (SX Only)	6031	<input type="checkbox"/>
---------------------------------------	------	--------------------------

### Accessories

Paper Towel - Roll Holder	6017	<input type="checkbox"/>
Paper Towel - Dispenser Pack	6021	<input type="checkbox"/>