



SX Cardiology Table

The SX Cardiology table has an electronically operated backrest, Hi to Low elevation without lateral movement and specially designed cutouts. These features allow the operator to get the patient perfectly positioned for left or right handed 'Echo' style transducer techniques.



SX Cardiology Table with optional independently locking castors



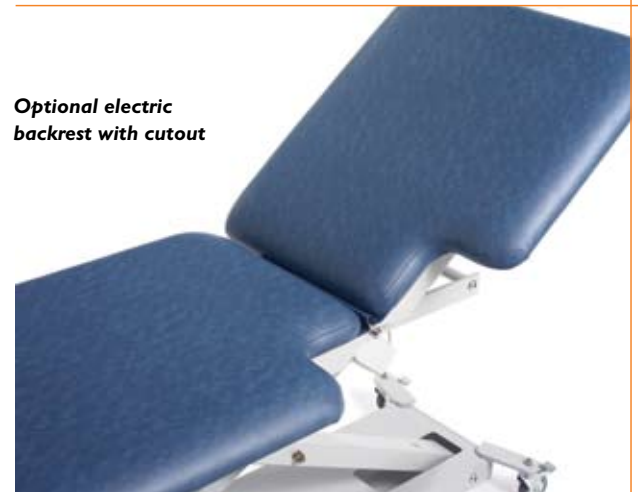
Low 45cm minimum height

Lifting Capacity: 185kg

Key Features:

- ◀ 45cm Minimum Height
- ◀ No horizontal movement from hi-lo
- ◀ Easy to move
- ◀ Fewer moving parts
- ◀ Easy to maintain
- ◀ Nose hole as standard
- ◀ Extremely Stable
- ◀ Optional independently locking castors for safety
- ◀ Sturdy Construction
- ◀ Dunlop Enduro Foam as standard (50mm)

Compare the **Quality**, we think you'll be impressed.



Optional electric backrest with cutout

healthtec™
pacific healthtec pty ltd

132 Tennyson Memorial Avenue
Tennyson Qld 4105
PO Box 3272
Yeronga Qld 4104

Phone: 07 3255 8600
Fax: 07 3255 8611

Email: info@healthtecdirect.com
Web: www.healthtecdirect.com

5 YEAR WARRANTY

All Healthtec™ manufactured items are covered for defects in material or workmanship for 5 years from date of purchase. Original suppliers warranty applies.

Pacific Healthtec Pty Ltd designs & manufactures all Physioline™ & Healthtec™ Products.

Physioline™ **healthtec™**
physical medical equipment

Healthtec™ Order Form

Your Details

Please supply us with your details and we'll get back to you to confirm your order and shipping details.

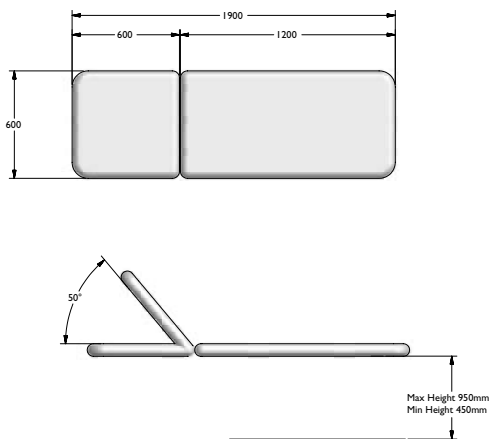
Name _____

Company _____

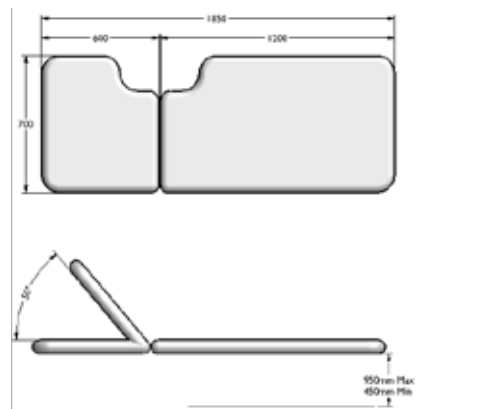
Phone Number _____

Signature _____

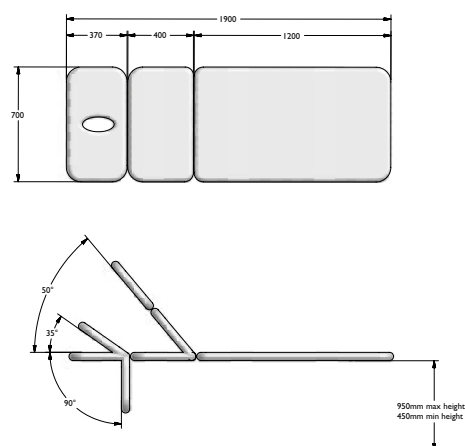
SX Cardiology Table - Two Section Electric Backrest 5061I



SX Cardiology Table - Two Section Electric Backrest w/Cut-out 5062I



SX Cardiology Table - Three Section Electric Mid Section & Manual Adjustment Head End 5063I



Options & Accessories

Width & Length Options

Special Length Option 6009

Foam, Vinyl & Frame Options

Duo-Foam 60mm Upgrade 6006
 Tri-Foam 75mm Upgrade 6005
 Premium Colours Vinyl Upgrade 6018
 Leather Upgrade 6008
 Different Powder Coating Colour Upgrade 6016

Colours

Black Blue Haze Coral Sand Cornflour
 Galaxy Green Haze Greystone Opal
 Seaspray Jungle Green Other _____

Procedure Arm Options

Procedure Arm - Fixed Arm 5102
 Procedure Arm - Swing Arm 5106

Rail Options

Side Rail (Left/Right) 5115

Head Section Options

Nose Hole - Plug 6010
 Nose Hole - Extra 6011
 Nose Hole - Custom Shape 6012

Castor Options

SX Hoist Access (140mm Clearance) 6028
 Central Locking Castor option - SX Bed 6037

Foot Switch Options

Additional Double Foot Switch 6024

Accessories

Paper Towel - Roll Holder 6017
 Paper Towel - Dispenser Pack 6021

SX Cardiology Table - Three Section - Electric Mid Section & Manual Adjustment Head End w/Cut-out 5064I

