



SX Traction Table

The SX Traction Tables use the same mechanics as the SX Treatment Table but with the addition of a lockable friction free pelvic section that enables the table to be used for traction. Both units come with a mounting pedestal and can be modified to suit any type of traction machine.

Electric postural drainage are available as optional extras on both the SXT3 and SXT4, making these a truly universal treatment and traction table. The two main differences between the units are, the SXT3 can do the Trendelenburg position while the SXT4 has a lift-up backrest for examination purposes.



SX Traction Bed shown with Traction Stool and optional independently locking castors

Lifting Capacity: 175kg

Key Features:

- ◀ 45cm Minimum Height
- ◀ No horizontal movement from hi-lo
- ◀ Easy to move
- ◀ Fewer moving parts
- ◀ Easy to maintain
- ◀ Extremely Stable
- ◀ Lockable pelvic section
- ◀ Optional independently locking castors for safety
- ◀ Seamless Friction Free
- ◀ Dunlop Enduro Foam as standard (50mm)
- ◀ Sturdy Construction
- ◀ Nose hole as standard

Compare the **Quality**, we think you'll be impressed.



1. The mounting pedestal can be adjusted to suit the height of traction required



2. Friction free pelvic section allows for 150mm of movement

healthtec™
pacific healthtec pty ltd

132 Tennyson Memorial Avenue
Tennyson Qld 4105
PO Box 3272
Yeronga Qld 4104

Phone: 07 3255 8600

Fax: 07 3255 8611

Email: info@healthtecdirect.com

Web: www.healthtecdirect.com

**5 YEAR
WARRANTY**

All Healthtec™ manufactured items are covered for defects in material or workmanship for 5 years from date of purchase. Original suppliers warranty applies.

Pacific Healthtec Pty Ltd designs & manufactures all Physioline™ & Healthtec™ Products.

Physioline

healthtec
physical medical equipment

Healthtec™ Order Form

Your Details

Please supply us with your details and we'll get back to you to confirm your order and shipping details.

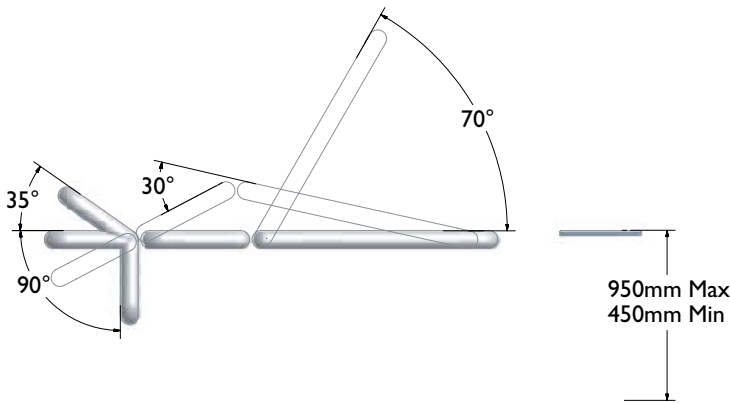
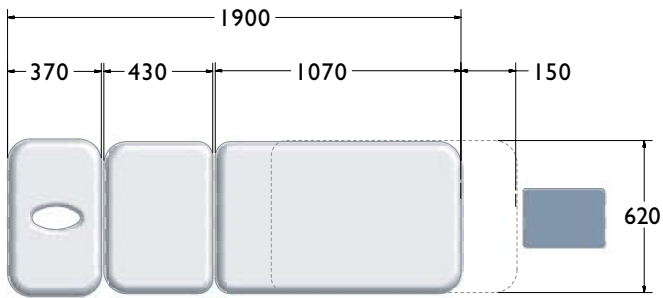
Name _____

Company _____

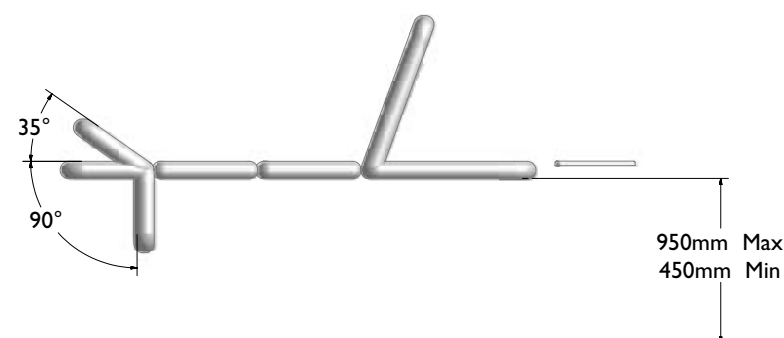
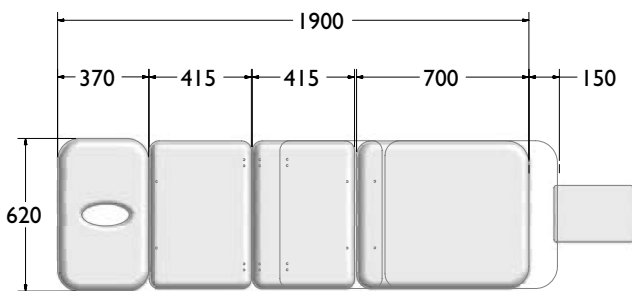
Phone Number _____

Signature _____

SX Traction Table 3 Section 50260



SX Traction Table 4 Section 50310



Options & Accessories

Code

Qty

Width & Length Options

67cm - Width Option	6001	<input type="checkbox"/>
72cm - Width Option	6002	<input type="checkbox"/>
77cm - Width Option	6003	<input type="checkbox"/>

Foam, Vinyl & Frame Options

Endura Foam 50mm Upgrade	6007	<input type="checkbox"/>
Duo-Foam 60mm Upgrade	6006	<input type="checkbox"/>
Tri-Foam 75mm Upgrade	6005	<input type="checkbox"/>
Premium Colours Vinyl Upgrade	6018	<input type="checkbox"/>
Leather Upgrade	6008	<input type="checkbox"/>
Different Powder Coating Colour Upgrade	6016	<input type="checkbox"/>

Colours

- Black Blue Haze Coral Sand Cornflour
 Galaxy Green Haze Greystone Opal
 Seaspray Jungle Green Other _____

Head Section Options

Nose Hole - Plug	6010	<input type="checkbox"/>
Nose Hole - Extra	6011	<input type="checkbox"/>
Nose Hole - Custom Shape	6012	<input type="checkbox"/>

Castor Options

Lockable Castor Option (SX Bed)	6000	<input type="checkbox"/>
SX Hoist Access (140mm Clearance)	6028	<input type="checkbox"/>
Central Locking Castor option - SX Bed	6037	<input type="checkbox"/>

Foot Switch Options

Additional Foot Switch	6020	<input type="checkbox"/>
Additional Double Foot Switch (For Electric Postural Drainage Option)	6024	<input type="checkbox"/>

Miscellaneous Options

Electric Postural Drainage for SXT3 only	6030	<input type="checkbox"/>
Universal Traction Bracket (Swing Away)	5100	<input type="checkbox"/>